

**M12 FEMALE 0° 6POL, ,CUBE67-SAFETY**

PUR 4x0,5 + 2x0,5 shielded YELLOW, 16m

Cube67

Female straight

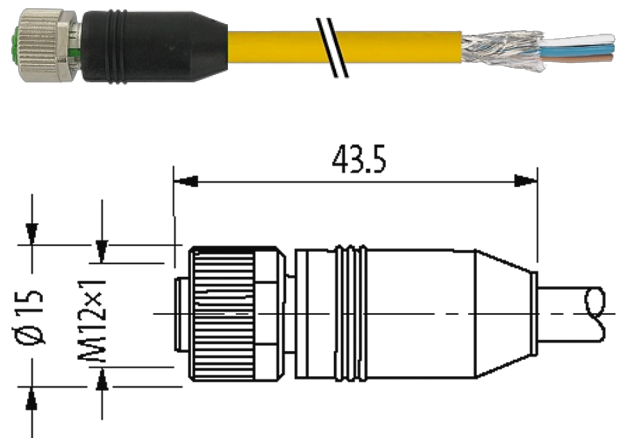
M12, 6-pole

Actuator supply external

Further cable lengths on request.

Plastic housings with good resistance against chemicals and oils.

The resistance to aggressive media should be individually tested for your application. Further details on request.

**Illustration**

Product may differ from Image

**Approvals****More Info**

Cube67

**Form**

Form 15101

**Cables**

Cable number	138
No./diameter of wires	4× 0.5 + 2× 0.5 mm <sup>2</sup>
Wire isolation	PP (br, wh, bl, bk, gr, pk)
C-track properties	5 Mio.
Jacket Color	yellow
Material (jacket)	PUR
Outer Ø	8.0 mm ±5%
Bend radius (moving)	10× outer Ø
Temperature range (fixed)	-40...+80 °C
Temperature range (mobile)	-5...+80 °C
Cable identification	138

Approval (cable)	CE conform
Cable weight [g/m]	123,20
Material (wire)	Cu wire, bare
Resistor (core)	max. 39 $\Omega$ /km (20 °C)
Single wire $\varnothing$ (core)	0.15 mm
Construction (core)	28x 0.15 mm (multi-strand wire class 6)
Diameter (core)	4x 0.5 + 2x 0.5 mm <sup>2</sup>
AWG	similar to AWG 20
Material (wire isolation)	PP
Material property (wire isolation)	CFC-, halogen-, cadmium-, silicone- and lead-free
Shore hardness (wire isolation)	55 $\pm$ 5 D
Wire- $\varnothing$ incl. isolation	1.5 mm $\pm$ 5%
Color/numbering of wires	br, bl, gr, pk, wh, bk
Shield	yes
	min. 85%
Material (jacket)	PUR
Shore hardness (jacket)	85 $\pm$ 5 A
Outer- $\varnothing$ (jacket)	8.0 mm $\pm$ 5%
Color (jacket)	yellow
chemical resistance	good resistance to oil, gasoline and chemicals (VDE 0472 Teil 803 Test B)
Nominal voltage	100 V AC
Test voltage	1200 V AC
Temperature range (fixed)	-40...+80 °C
Temperature range (mobile)	-5...+80 °C
Bend radius (moving)	10x outer $\varnothing$
No. of bending cycles (C-track)	max. 5 Mio. (25 °C)
Traversing distance (C-track)	max. 5 m (horizontal)
Travel speed (C-track)	max. 3.3 m/s
Acceleration (C-track)	max. 5 m/s <sup>2</sup>

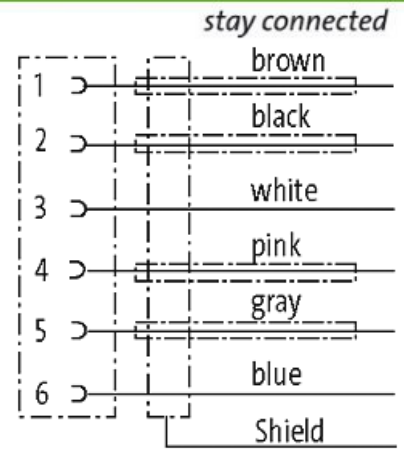
#### Technical Data

Operating voltage	max. 60 V AC/DC
Operating current per contact	max. 4 A
Locking of ports	Screw thread (M12x1 mm) recommended torque 0.6 Nm, self-securing
Protection	IP66K, IP67 inserted and tightened (EN 60529)

#### Commercial data

country of origin	DE
customs tariff number	85444290
EAN	4048879313056
eClass	27279218
Packaging unit	1

#### Sketch



Product may differ from Image